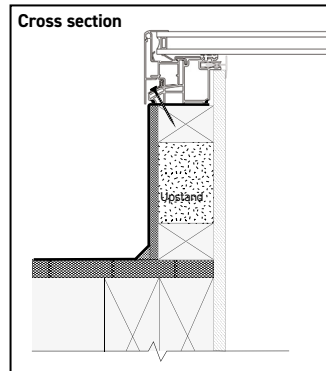
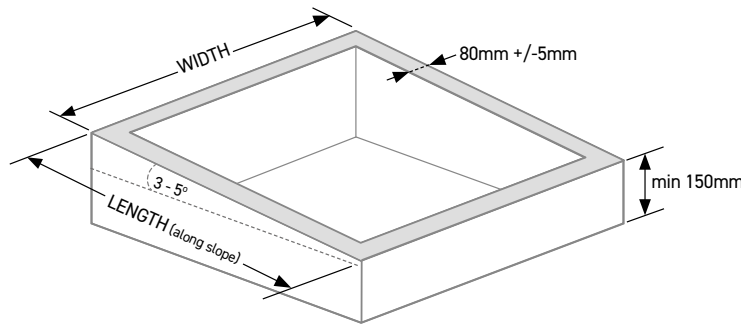




ALUMINIUM FLAT GLASS QUOTE REQUEST

Contact: -----
Company: -----
Address: -----
Postcode: -----
Telephone: ----- **Fax:** -----
Mobile: ----- **Email:** -----

PLEASE PROVIDE THE EXTERNAL DIMENSIONS OF YOUR UPSTAND INCLUDING THE FITTED WATER PROOF MEMBRANE.



PRINT QUOTE CLEAR FORM

JOB REFERENCE:	
EXTERNAL FASCIA COLOUR	
NB. Glass retainer profile always piano black gloss	
White RAL 9910 GLOSS	Grey RAL 7016 MATT
Black RAL 9005 MATT	

Bespoke	RAL/BS Colour:
EXTERNAL EAVES SIZES	
WIDTH:	LENGTH:
GLASS OPTIONS	
Blue (standard)	Premium Blue
Clear	Neutral
TYPE	
Double Glazed (standard)	Triple Glazed
LAMINATED	
No (standard)	Yes
SITE DELIVERY POSTCODE:	
ADDITIONAL COMMENTS:	



Email quote to: sales@madefortrade.co Tel: 01642 610799