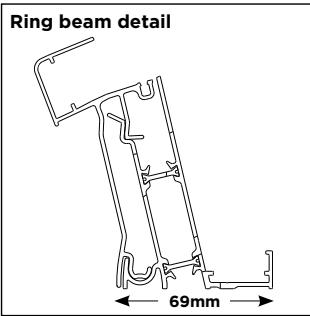




ALUMINIUM ROOF LANTERN QUOTE REQUEST

Contact: -----
 Company: -----
 Address: -----
 ----- Postcode: -----
 Telephone: ----- Fax: -----
 Mobile: ----- Email: -----

<p>DRAW LANTERN ROOF IN PLAN VIEW. PLEASE PROVIDE THE EXTERNAL DIMENSIONS OF YOUR UPSTAND AND THE FITTED WATER PROOF MEMBRANE, WE RECOMMEND AN ADDITIONAL 12mm TO BOTH LENGTH AND WIDTH ALLOWING A 6mm OVERHANG</p>	JOB REFERENCE:									
	EXTERNAL COLOUR	INTERNAL COLOUR								
	<p>Standard (All the same cost)</p> <table border="0"> <tr> <td>White RAL 9010 GLOSS</td> <td>Grey RAL 7016 MATT</td> <td>White RAL 9010 GLOSS</td> <td>Grey RAL 7016 MATT</td> </tr> <tr> <td>Black RAL 9005 MATT</td> <td></td> <td>Black RAL 9005 MATT</td> <td></td> </tr> </table>	White RAL 9010 GLOSS	Grey RAL 7016 MATT	White RAL 9010 GLOSS	Grey RAL 7016 MATT	Black RAL 9005 MATT		Black RAL 9005 MATT		
White RAL 9010 GLOSS	Grey RAL 7016 MATT	White RAL 9010 GLOSS	Grey RAL 7016 MATT							
Black RAL 9005 MATT		Black RAL 9005 MATT								
	<p>Bespoke (Additional cost)</p> <p>RAL/BS Colour:</p>	<p>RAL/BS Colour:</p>								
	EXTERNAL EAVES SIZES									
	WIDTH:	PROJECTION:								
	GLASS OPTIONS									
	UNGLAZED	Ambi Neutral 1.2 U Value								
	Ambi Blue 1.2 U Value	Sunshine Blue 1.0 U Value								
	Ambi Aqua 1.0 U Value	Ambi Bronze 1.2 U Value								
	Clear Self Clean 1.2 U Value									
	OPTIONS									
	FINIALS REQUIRED	BALL NONE								
	SITE DELIVERY POSTCODE: (for load calculation and glass delivery surcharge purposes only)									
	ADDITIONAL COMMENTS:									



Korniche is a 25 degree fixed pitch

TO COMPLETE A DIGITAL VERSION OF THIS FORM - CLICK ON THE BOX ABOVE TO UPLOAD A SKETCH / DRAWING AS PDF, JPEG OR PNG FILE

[PRINT QUOTE](#) [CLEAR FORM](#)

* **Document F Information:** Please be advised that as of June 15th 2022, windows and doors are required to have trickle vents. Further details can be found on www.gov.uk.



Email quote to: sales@madefortrade.co Tel: 01642 610799