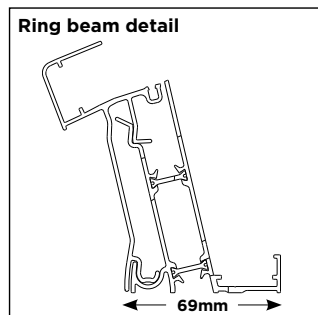




ALUMINIUM ROOF LANTERN QUOTE REQUEST

Contact: -----
Company: -----
Address: -----
Postcode: -----
Telephone: ----- **Fax:** -----
Mobile: ----- **Email:** -----

DRAW LANTERN ROOF IN PLAN VIEW. PLEASE PROVIDE THE EXTERNAL DIMENSIONS OF YOUR UPSTAND AND THE FITTED WATER PROOF MEMBRANE, WE RECOMMEND AN ADDITIONAL 12mm TO BOTH LENGTH AND WIDTH ALLOWING A 6mm OVERHANG



Korniche is a 25 degree fixed pitch

TO COMPLETE A DIGITAL VERSION OF THIS FORM - CLICK ON THE BOX ABOVE TO UPLOAD A SKETCH / DRAWING AS PDF, JPEG OR PNG FILE

PRINT QUOTE CLEAR FORM

JOB REFERENCE:			
EXTERNAL COLOUR		INTERNAL COLOUR	
Standard (All the same cost)			
White GLOSS	Grey RAL 7016 MATT	White GLOSS	Grey RAL 7016 MATT
Black MATT RAL 9005		Black MATT RAL 9005	

Bespoke (Additional cost)		RAL/BS Colour:	
RAL/BS Colour:		RAL/BS Colour:	
EXTERNAL EAVES SIZES			
WIDTH:		PROJECTION:	
GLASS OPTIONS			
UNGLAZED		Ambi Aqua 1.0 U Value	
Ambi Blue 1.2 U Value		Sunshine Blue 1.0 U Value	
Ambi Neutral 1.2 U Value		Ambi Bronze 1.2 U Value	
Clear Self Clean 1.2 U Value			
OPTIONS			
<input checked="" type="checkbox"/>	NEW	<input type="checkbox"/>	EAVES SCREW PORT COVER
		<input type="checkbox"/>	<input type="checkbox"/>
<input type="checkbox"/>	FINIALS REQUIRED	<input type="checkbox"/>	BALL
		<input type="checkbox"/>	NONE
SITE DELIVERY POSTCODE:			
(*glass delivery surcharge may apply)			
ADDITIONAL COMMENTS:			

FOR FURTHER INFORMATION ON SURVEYING & QUOTE DETAILS SEE OUR WEBSITE: www.madefortrade.co



**Complete this form and email to
sales@madefortrade.co**