



MADE FOR

trade

QUOTE

Korniche QUOTATION REQUEST

Contact:

Company:

Address:

Postcode:

Telephone:

Fax:

Mobile: Email:

DRAW LANTERN ROOF IN PLAN VIEW . PLEASE PROVIDE **EXTERNAL** EAVES BEAM SIZES ENSURING THE **OUTSIDE** OF THE EAVES BEAM SITS FLUSH WITH YOUR EXTERNAL UPSTAND.

JOB REFERENCE:

DETAILS:

EXTERNAL COLOUR:		INTERNAL COLOUR:	
Standard (All the same cost)			
White GLOSS	Grey RAL 7016 MATT	White GLOSS	Grey RAL 7016 MATT
Black MATT RAL 9005		Black MATT RAL 9005	
Bespoke (Additional cost)			
RAL Colour:		RAL Colour:	

EXTERNAL EAVES SIZES

WIDTH:	PROJECTION:
--------	-------------

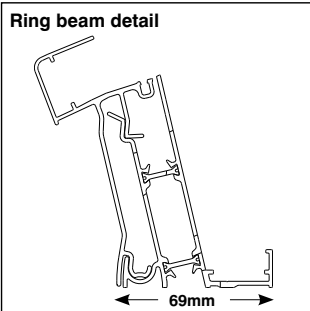
GLASS OPTIONS

UNGLAZED	Sunshade Blue 1.0
Ambi Blue 1.2	Ambi Bronze 1.2
Ambi Aqua 1.0	Ambi Neutral 1.2
Ambi Ultra 1.0	

FINIALS REQUIRED	Ball	None
-------------------------	------	------

SITE DELIVERY POSTCODE:
(for load calculation purposes only)

EXTRA'S REQUIRED / COMMENTS:



Korniche is a 25 degree fixed pitch

TO COMPLETE A DIGITAL VERSION OF THIS FORM - CLICK ON THE BOX ABOVE TO UPLOAD A SKETCH / DRAWING AS A PDF

EMAIL QUOTE PRINT QUOTE CLEAR FORM

FAXBACK 01642 615854

Tel: 01642 610799

Email: sales@korniche.co.uk